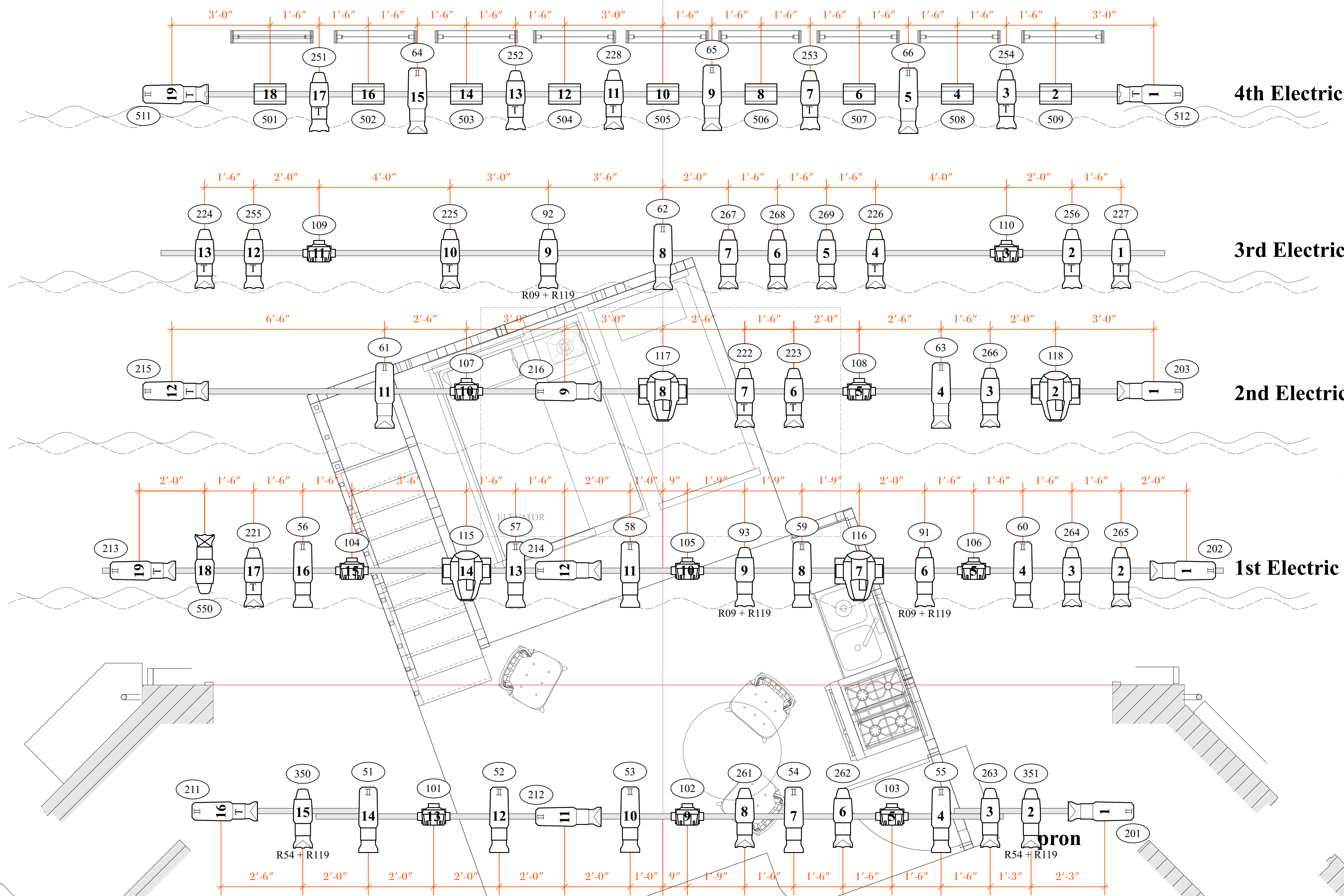


LINESET SCHEDULE

37'-3"	24	
37'-3"	23	Full Stage Black
37'-3"	22	
16'-0"	21	Scrim
37'-3"	20	Apartment Windows
37'-3"	19	
16'-0"	18	4th Electric
15'-0"	17	Legs & Border
37'-3"	16	
37'-3"	15	
37'-3"	14	
21'-0"	13	3rd Electric
20'-0"	12	Legs & Border
37'-3"	11	Tree Branch
37'-3"	10	
21'-0"	9	2nd Electric
37'-3"	8	
20'-0"	7	Legs & Border
15'-0"	6	Charley Window
14'-0"	5	Howard Window
19'-6"	4	1st Electric
18'-0"	3	Legs & Border
12'-6"	2	Restaurant
13'-0"	1	Hotel Sign
39'-0"	0	Fire Curtain



Symbol Key

ETC S4

	ETC Source4 10deg	6
	ETC Source4 19deg	41
	ETC Source4 36deg	15
	ETC Source4 50deg	21

LED

	ETC Source4 LED2DS 36deg	16
	ETC Source4 LED2LS 50deg	21
	ETC Source4 LED2LS 90deg	4
	AltmanSpectra Cyc 100	9

Movers

	Martin Mac Quantum Profile	8
	Martin Mac Aura XB	10

Atmospherics

	Neutron XS	1
--	------------	---

Practicals

	USITT Practical	9
	RGB Neon LED Tape	1
	RGBW LED Tape	3

TYPICAL SYMBOL

	Color	Template	Unit Number	Channel
	Size	Count		
L201 + R132	6.25"	2		
R08 + R119	6.25"	15		
R09 + R119	6.25"	4		
R54 + R119	6.25"	15		
R54 + R119	12"	6		
R69 + R119	6.25"	15		

For the avoidance of doubt, the Lighting Designer is not qualified to determine the structural and electrical appropriateness of their design and is not responsible and cannot be held liable for any improper engineering, construction, rigging, or hanging methods, or any improper use of structures or equipment that may be employed to realize the design. It is the responsibility of the Production Manager and not the Lighting Designer to ensure that the design complies with local fire, health, and safety regulations. In the event that the design is found not to comply, the Lighting Designer will adjust the design in consultation with the theatre to ensure that it does comply with such regulations.

Abbey Lynn Smith
 abbeylynnsmith.com
 abbeylynnsmith12@gmail.com
 620.381.0187

Death of a Salesman
 Nebraska Repertory Theater
 Howell Memorial Theater
 Producer/Director: Jacqueline Thompson
 Costume Designer: Paige Moeller
 Sound Designer: Jackie Sharp
 Scenic Designer: Anna Schwartz
 Lighting Designer: Abbey Lynn Smith
 Ass. Lighting Designer: Caroline Nowak
 Head Electrician: Kennedy Wilcher
 Ass. Head Electrician: Seamus Hurley

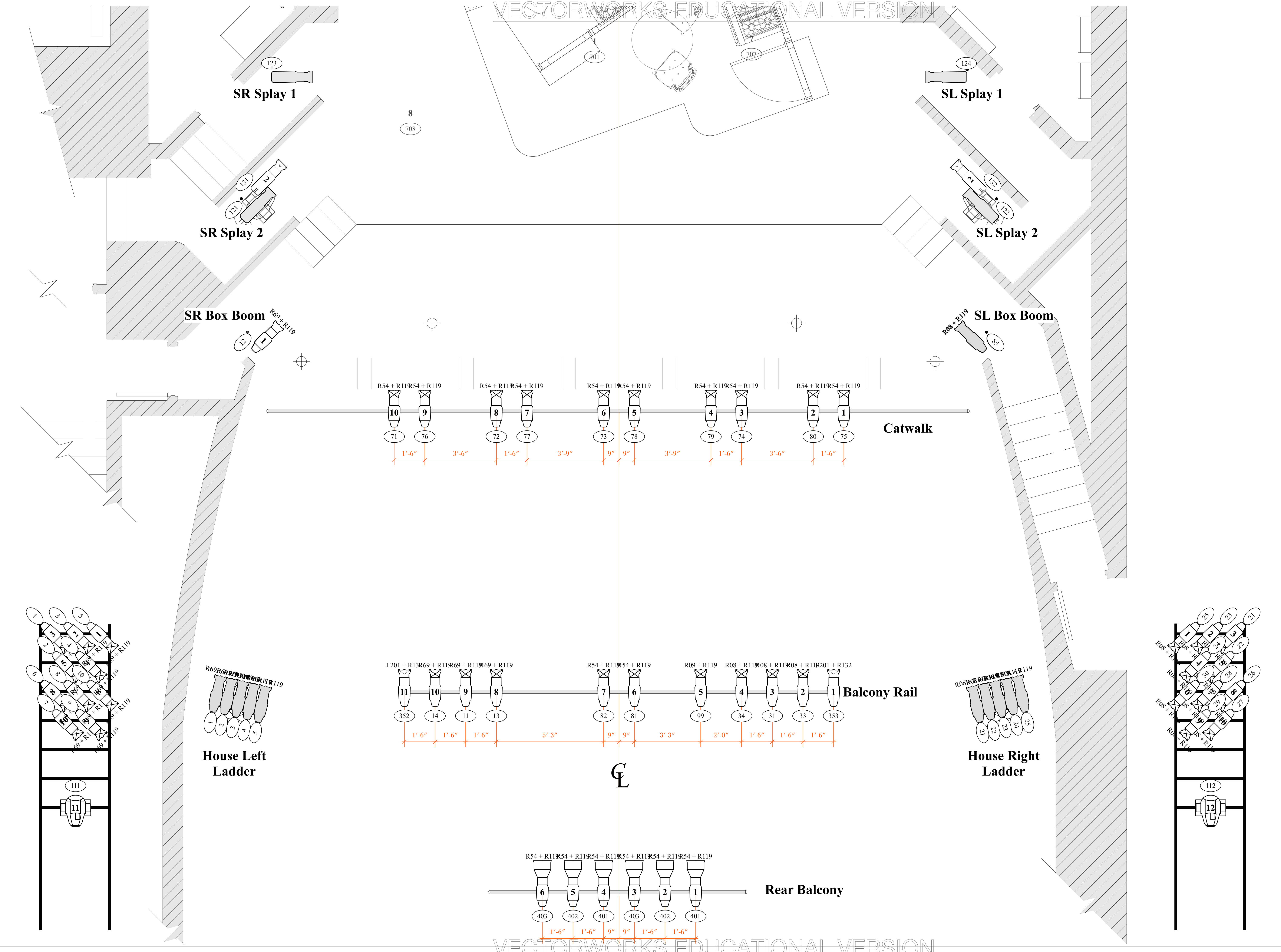


LIGHT PLOT

Current Version: v2 Date: 10/23/22

No.	Date	Revision Notes
1	10.23	Unit #s & Practicals
2		
3		

Drawn By: Abbey Lynn Smith
 Scale: 1/2" = 1'0"
 Plate # **1** of 6



Symbol Key

ETC S4

	ETC Source4 10deg	6
	ETC Source4 19deg	41
	ETC Source4 36deg	15
	ETC Source4 50deg	21

LED

	ETC Source4 LED2DS 36deg	16
	ETC Source4 LED2LS 50deg	21
	ETC Source4 LED2LS 90deg	4
	AltmanSpectra Cyc 100	9

Movers

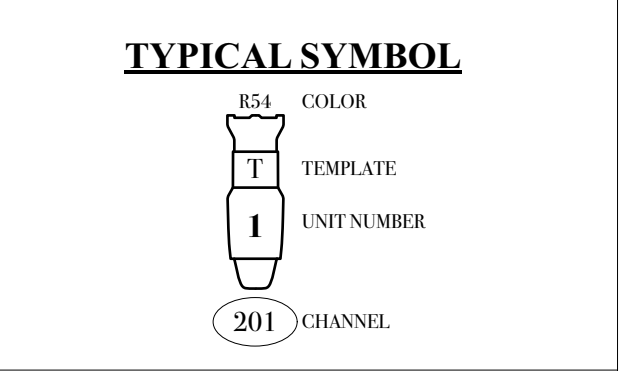
	Martin Mac Quantum Profile	8
	Martin Mac Aura XB	10

Atmospherics

	Neutron XS	1
--	------------	---

Practicals

	USITT Practical	9
	RGB Neon LED Tape	1
	RGBW LED Tape	3

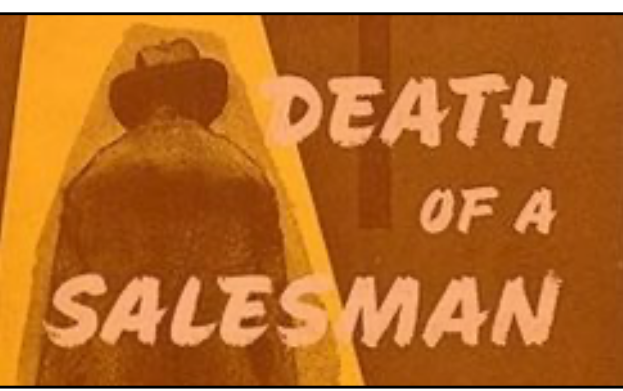


Color	Size	Count
●	L201 + R132 6.25"	2
●	R08 + R119 6.25"	15
●	R09 + R119 6.25"	4
●	R54 + R119 6.25"	15
●	R54 + R119 12"	6
●	R69 + R119 6.25"	15

For the avoidance of doubt, the Lighting Designer is not qualified to determine the structural and electrical appropriateness of their design and is not responsible and cannot be held liable for any improper engineering, construction, rigging, or hanging methods, or any improper use of structures or equipment that may be employed to realize the design. It is the responsibility of the Production Manager and not the Lighting Designer to ensure that the design complies with local fire, health, and safety regulations. In the event that the design is found not to comply, the Lighting Designer will adjust the design in consultation with the theatre to ensure that it does comply with such regulations.

Abbey Lynn Smith
 abbeylynnsmith.com
 abbeylynnsmith12@gmail.com
 620.381.0187

Death of a Salesman
 Nebraska Repertory Theater
 Howell Memorial Theater
 Producer/Director: Jacqueline Thompson
 Costume Designer: Paige Moeller
 Sound Designer: Jackie Sharp
 Scenic Designer: Anna Schwartz
 Lighting Designer: Abbey Lynn Smith
 Ass. Lighting Designer: Caroline Nowak
 Head Electrician: Kennedy Wilcher
 Ass. Head Electrician: Seamus Hurley



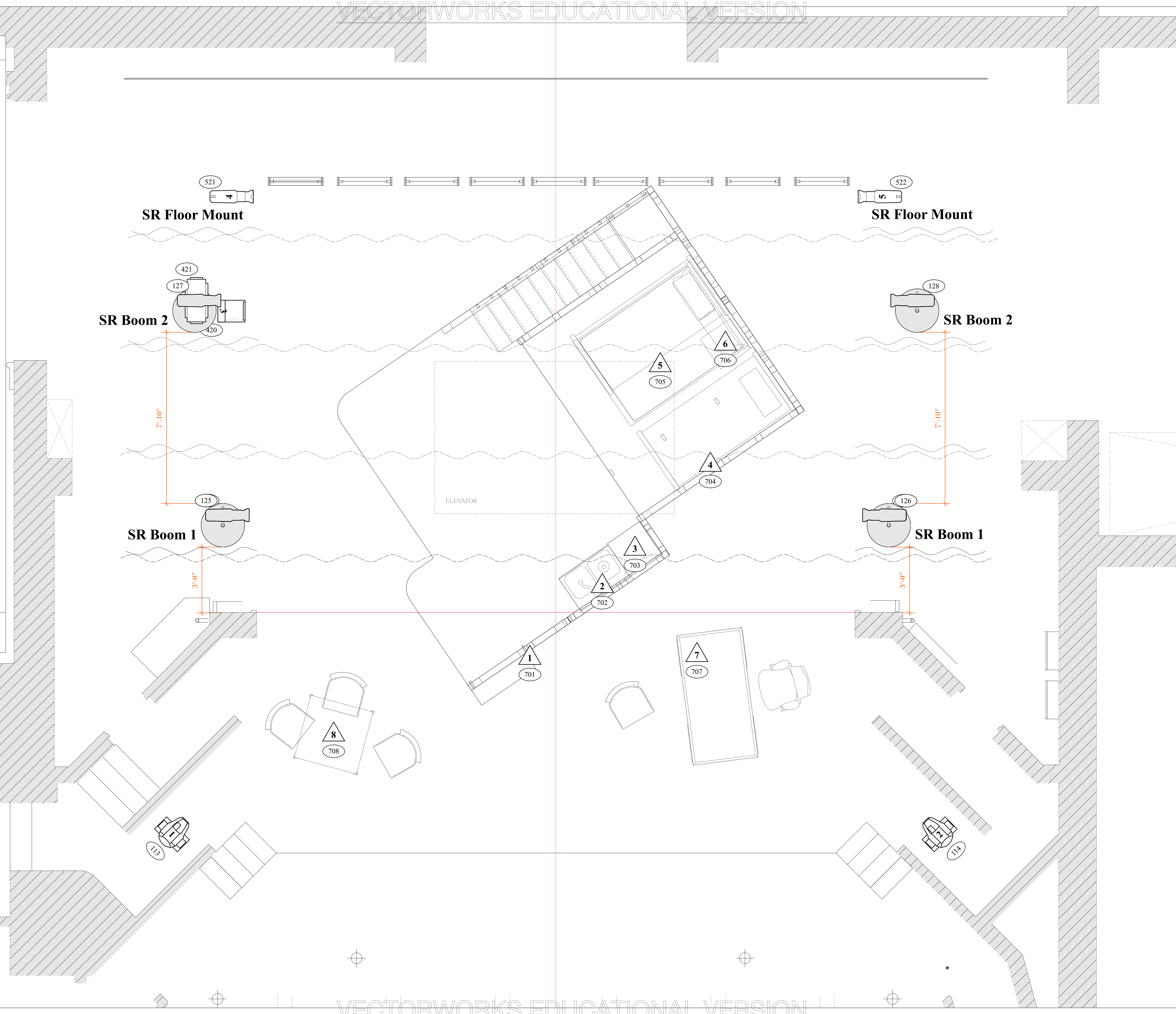
FOH

Current Version: v2 Date: 10/23/22

No.	Date	Revision Notes
1	10.23	Unit #s & Practicals
2		
3		

Drawn By: Abbey Lynn Smith
 Scale: 1/2" = 1'0"
 Plate # **2** of 6

LINESET SCHEDULE		
37'-3"	24	
37'-3"	23	Full Stage Black
37'-3"	22	
16'-0"	21	Scrim
37'-3"	20	Apartment Windows
37'-3"	19	
16'-0"	18	4th Electric
15'-0"	17	Legs & Border
37'-3"	16	
37'-3"	15	
37'-3"	14	
21'-0"	13	3rd Electric
20'-0"	12	Legs & Border
37'-3"	11	Tree Branch
37'-3"	10	
21'-0"	9	2nd Electric
37'-3"	8	
20'-0"	7	Legs & Border
15'-0"	6	Charley Window
14'-0"	5	Howard Window
19'-6"	4	1st Electric
18'-0"	3	Legs & Border
12'-6"	2	Restaurant
13'-0"	1	Hotel Sign
39'-0"	0	Fire Curtain



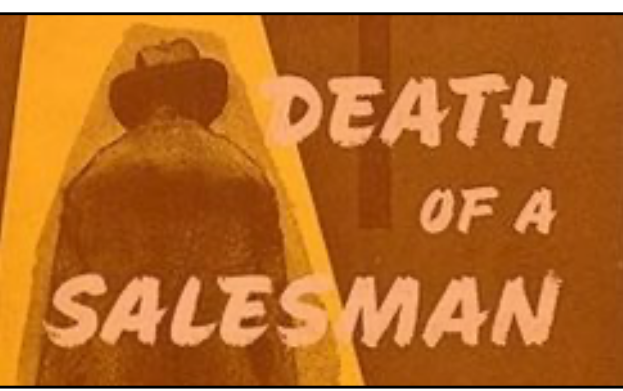
Symbol Key

ETC S4		
	ETC Source4 10deg	6
	ETC Source4 19deg	41
	ETC Source4 36deg	15
	ETC Source4 50deg	21
LED		
	ETC Source4 LED2DS 36deg	16
	ETC Source4 LED2LS 50deg	21
	ETC Source4 LED2LS 90deg	4
	AltmanSpectra Cyc 100	9
Movers		
	Martin Mac Quantum Profile	8
	Martin Mac Aura XB	10
Atmospherics		
	Neutron XS	1
Practicals		
	USITT Practical	9
	RGB Neon LED Tape	1
	RGBW LED Tape	3
TYPICAL SYMBOL		
	ES4 COLOR	
	TI TEMPLATE	
	1 UNIT NUMBER	
	201 CHANNEL	

For the avoidance of doubt, the Lighting Designer is not qualified to determine the structural and electrical appropriateness of their design and is not responsible and cannot be held liable for any improper engineering, construction, rigging, or hanging methods, or any improper use of structures or equipment that may be employed to realize the design. It is the responsibility of the Production Manager and not the Lighting Designer to ensure that the design complies with local fire, health, and safety regulations. In the event that the design is found not to comply, the Lighting Designer will adjust the design in consultation with the theatre to ensure that it does comply with such regulations.

Abbey Lynn Smith
 abbeylynnsmith.com
 abbeylynnsmith12@gmail.com
 620.381.0187

Death of a Salesman
 Nebraska Repertory Theater
 Howell Memorial Theater
 Producer/Director: Jacqueline Thompson
 Costume Designer: Paige Moeller
 Sound Designer: Jackie Sharp
 Scenic Designer: Anna Schwartz
 Lighting Designer: Abbey Lynn Smith
 Ass. Lighting Designer: Caroline Nowak
 Head Electrician: Kennedy Wilcher
 Ass. Head Electrician: Seamus Hurley



deck lx & practicals

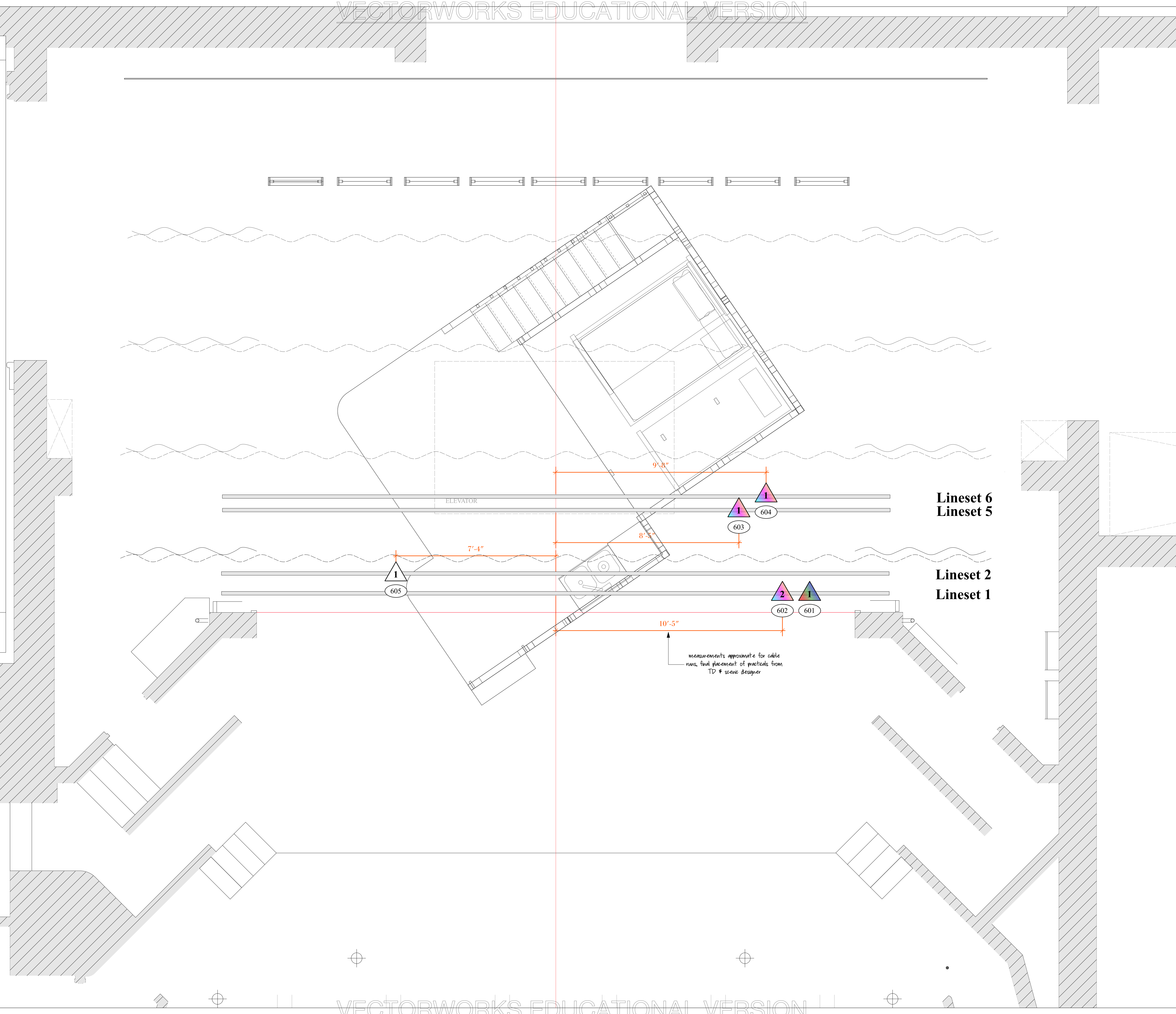
Current Version: v2 Date: 10/23/22

No.	Date	Revision Notes
1	10.23	Unit #s & Practicals
2		
3		

Drawn By: Abbey Lynn Smith
 Scale: 1/2" = 1'0"
 Plate # **3** of 6

LINESSET SCHEDULE

37'-3"	24	
37'-3"	23	Full Stage Black
37'-3"	22	
16'-0"	21	Scrim
37'-3"	20	Apartment Windows
37'-3"	19	
16'-0"	18	4th Electric
15'-0"	17	Legs & Border
37'-3"	16	
37'-3"	15	
37'-3"	14	
21'-0"	13	3rd Electric
20'-0"	12	Legs & Border
37'-3"	11	Tree Branch
37'-3"	10	
21'-0"	9	2nd Electric
37'-3"	8	
20'-0"	7	Legs & Border
15'-0"	6	Charley Window
14'-0"	5	Howard Window
19'-6"	4	1st Electric
18'-0"	3	Legs & Border
12'-6"	2	Restaurant
13'-0"	1	Hotel Sign
39'-0"	0	Fire Curtain



Symbol Key

ETC S4

	ETC Source4 10deg	6
	ETC Source4 19deg	41
	ETC Source4 36deg	15
	ETC Source4 50deg	21

LED

	ETC Source4 LED2DS 36deg	16
	ETC Source4 LED2LS 50deg	21
	ETC Source4 LED2LS 90deg	4
	AltmanSpectra Cyc 100	9

Movers

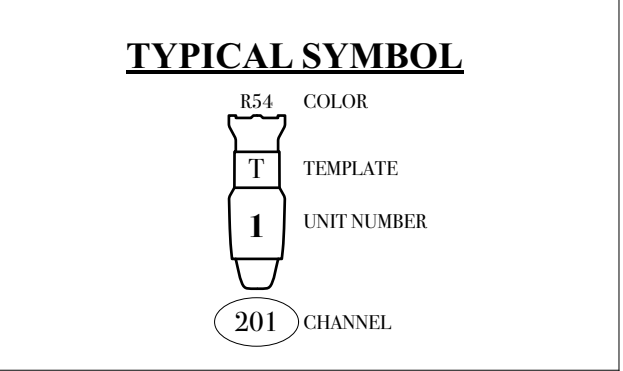
	Martin Mac Quantum Profile	8
	Martin Mac Aura XB	10

Atmospherics

	Neutron XS	1
--	------------	---

Practicals

	USITT Practical	9
	RGB Neon LED Tape	1
	RGBW LED Tape	3

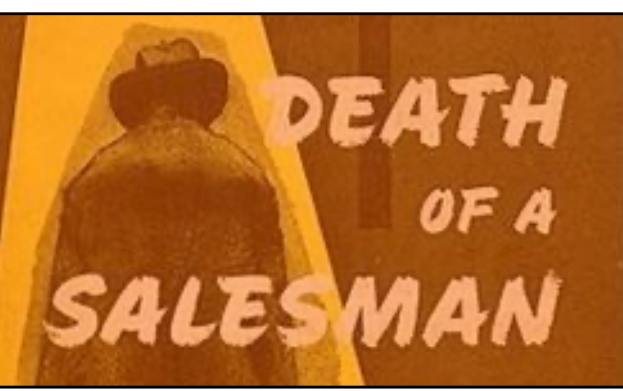


Color	Size	Count
	L201 + R132 6.25"	2
	R08 + R119 6.25"	15
	R09 + R119 6.25"	4
	R54 + R119 6.25"	15
	R54 + R119 12"	6
	R69 + R119 6.25"	15

For the avoidance of doubt, the Lighting Designer is not qualified to determine the structural and electrical appropriateness of their design and is not responsible and cannot be held liable for any improper engineering, construction, rigging, or hanging methods, or any improper use of structures or equipment that may be employed to realize the design. It is the responsibility of the Production Manager and not the Lighting Designer to ensure that the design complies with local fire, health, and safety regulations. In the event that the design is found not to comply, the Lighting Designer will adjust the design in consultation with the theatre to ensure that it does comply with such regulations.

Abbey Lynn Smith
 abbeylynnsmith.com
 abbeylynnsmith12@gmail.com
 620.381.0187

Death of a Salesman
 Nebraska Repertory Theater
 Howell Memorial Theater
 Producer/Director: Jacqueline Thompson
 Costume Designer: Paige Moeller
 Sound Designer: Jackie Sharp
 Scenic Designer: Anna Schwartz
 Lighting Designer: Abbey Lynn Smith
 Ass. Lighting Designer: Caroline Nowak
 Head Electrician: Kennedy Wilcher
 Ass. Head Electrician: Seamus Hurley

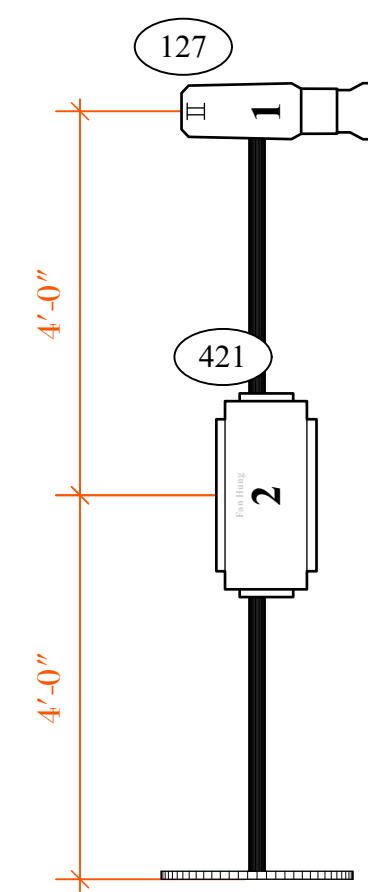


overhead practicals

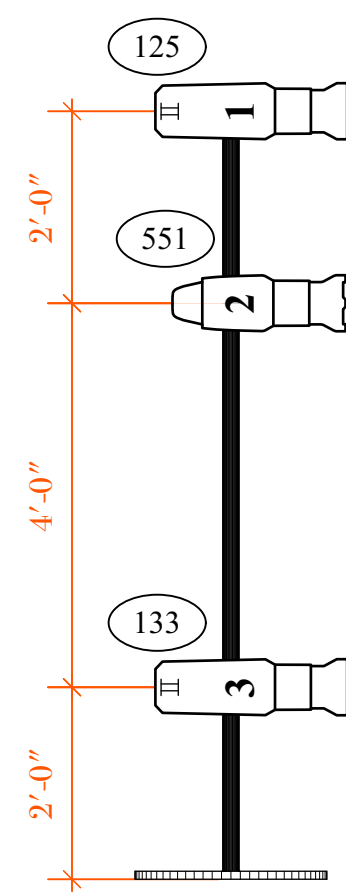
Current Version: v2 Date: 10/23/22

No.	Date	Revision Notes
1	10.23	Unit #s & Practicals
2		
3		

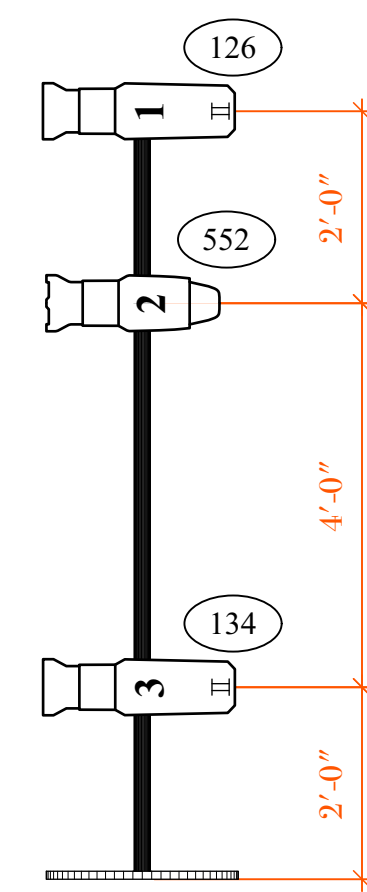
Drawn By: Abbey Lynn Smith
 Scale: 1/2" = 1'0"
 Plate # **4** of 6



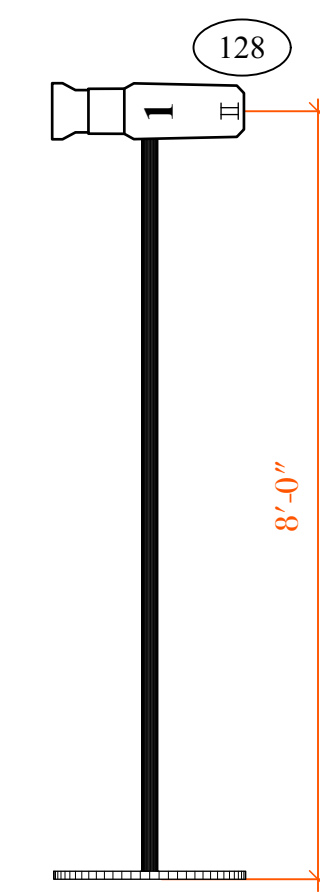
SR Boom 2



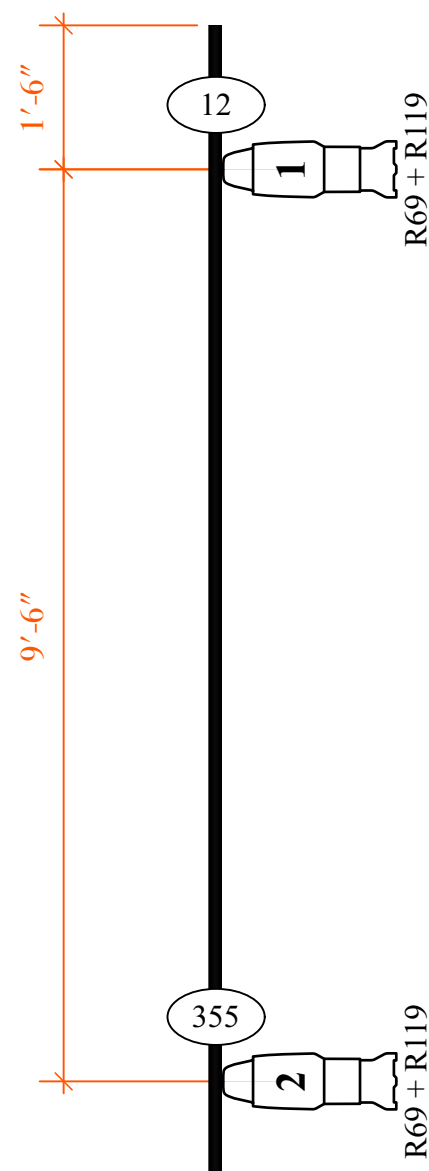
SR Boom 1



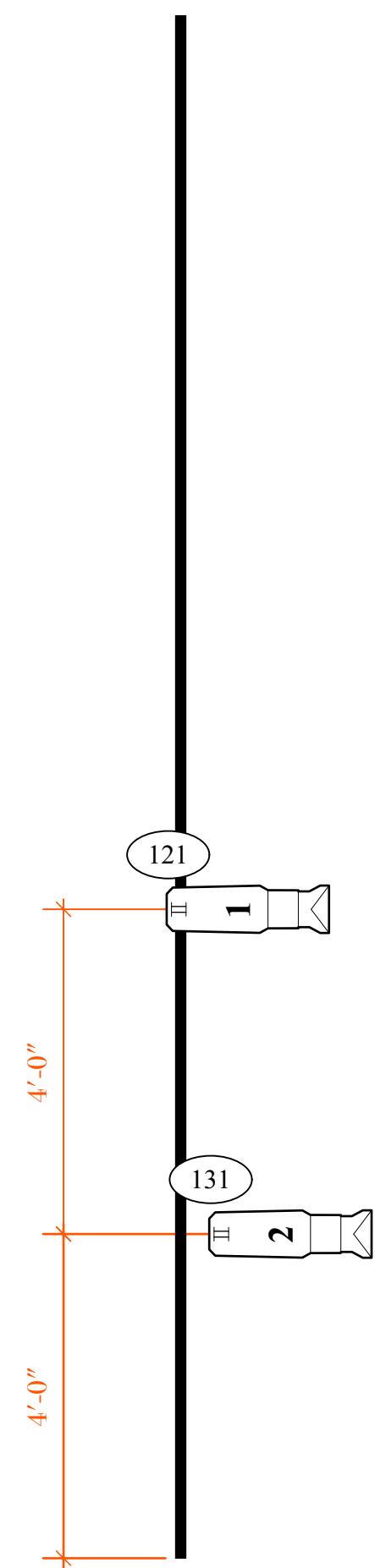
SL Boom 1



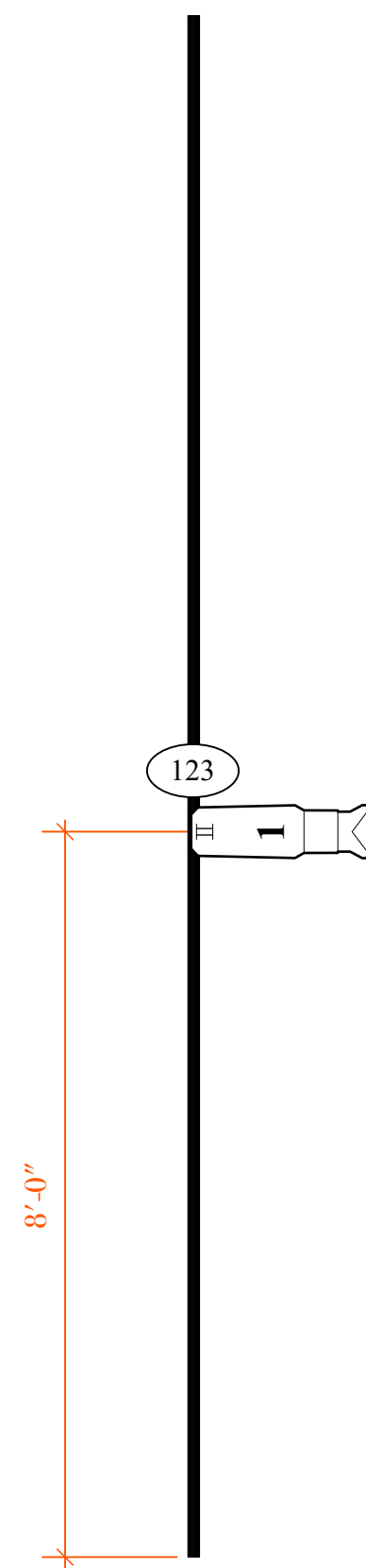
SL Boom 2



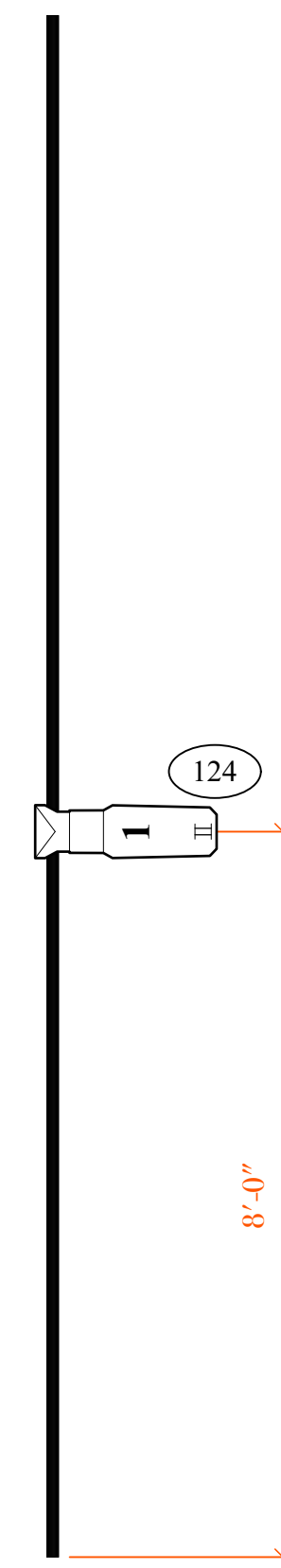
SR Box Boom



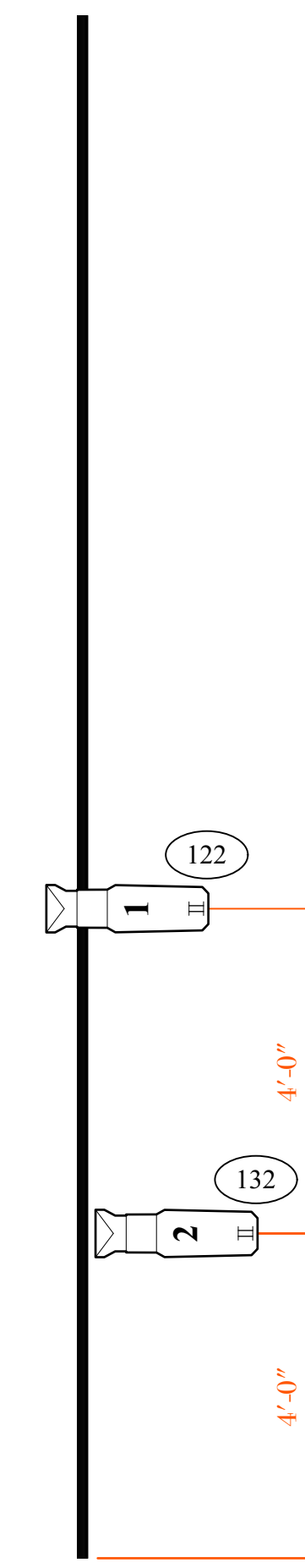
SR Splay 1



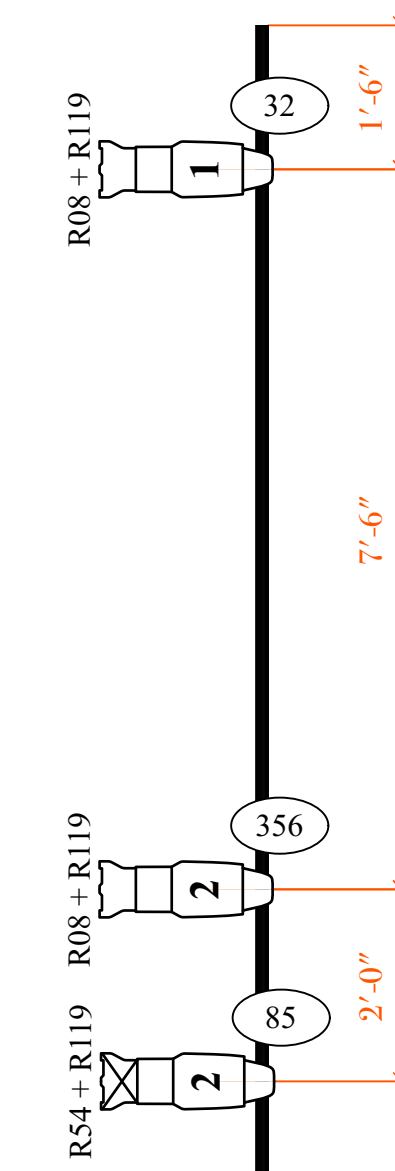
SR Splay 2



SL Splay 1



SL Splay 2



SL Box Boom

Symbol Key

ETC S4

	ETC Source4 10deg	6
	ETC Source4 19deg	41
	ETC Source4 36deg	15
	ETC Source4 50deg	21

LED

	ETC Source4 LED2DS 36deg	16
	ETC Source4 LED2LS 50deg	21
	ETC Source4 LED2LS 90deg	4
	AltmanSpectra Cyc 100	9

Movers

	Martin Mac Quantum Profile	8
	Martin Mac Aura XB	10

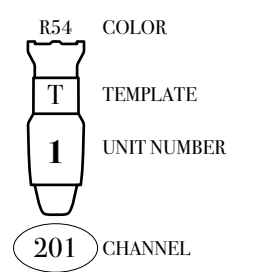
Atmospherics

	Neutron XS	1
--	------------	---

Practicals

	USITT Practical	9
	RGB Neon LED Tape	1
	RGBW LED Tape	3

TYPICAL SYMBOL



Color	Size	Count
	L201 + R132 6.25"	2
	R08 + R119 6.25"	15
	R09 + R119 6.25"	4
	R54 + R119 6.25"	15
	R54 + R119 12"	6
	R69 + R119 6.25"	15

For the avoidance of doubt, the Lighting Designer is not qualified to determine the structural and electrical appropriateness of their design and is not responsible and cannot be held liable for any improper engineering, construction, rigging, or hanging methods, or any improper use of structures or equipment that may be employed to realize the design. It is the responsibility of the Production Manager and not the Lighting Designer to ensure that the design complies with local fire, health, and safety regulations. In the event that the design is found not to comply, the Lighting Designer will adjust the design in consultation with the theatre to ensure that it does comply with such regulations.

Abbey Lynn Smith
 abbeylynnsmith.com
 abbeylynnsmith12@gmail.com
 620.381.0187

Death of a Salesman
 Nebraska Repertory Theater
 Howell Memorial Theater

Producer/Director: Jacqueline Thompson
 Costume Designer: Paige Moeller
 Sound Designer: Jackie Sharp
 Scenic Designer: Anna Schwartz
 Lighting Designer: Abbey Lynn Smith
 Ass. Lighting Designer: Caroline Nowak
 Head Electrician: Kennedy Wilcher
 Ass. Head Electrician: Seamus Hurley



splays & booms

Current Version: v2 Date: 10/23/22

No.	Date	Revision Notes
1	10.23	Unit #s & Practicals
2		
3		

Drawn By: Abbey Lynn Smith
 Plate # 5 of 6
 Scale: 1/2" = 1'0"